

(A) ELEVATION



3-STREAM SORTING STATION

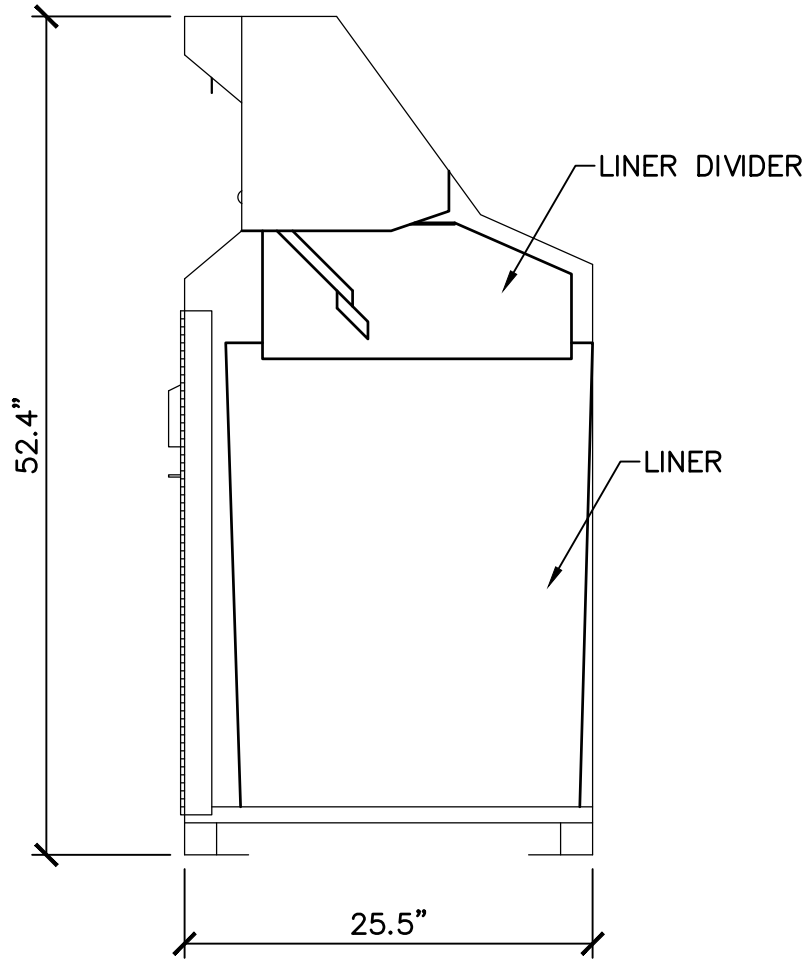
REVIEWED BY THE PARK STANDARDS COMMITTEE, AND
APPROVED BY THE CHIEF OF DESIGN & CONSTRUCTION

06/05/2024

STD PLAN

519

SHEET 1 OF 7
NOT TO SCALE



(B) SECTION – INTERIOR



3-STREAM SORTING STATION

REVIEWED BY THE PARK STANDARDS COMMITTEE, AND APPROVED BY THE CHIEF OF DESIGN & CONSTRUCTION

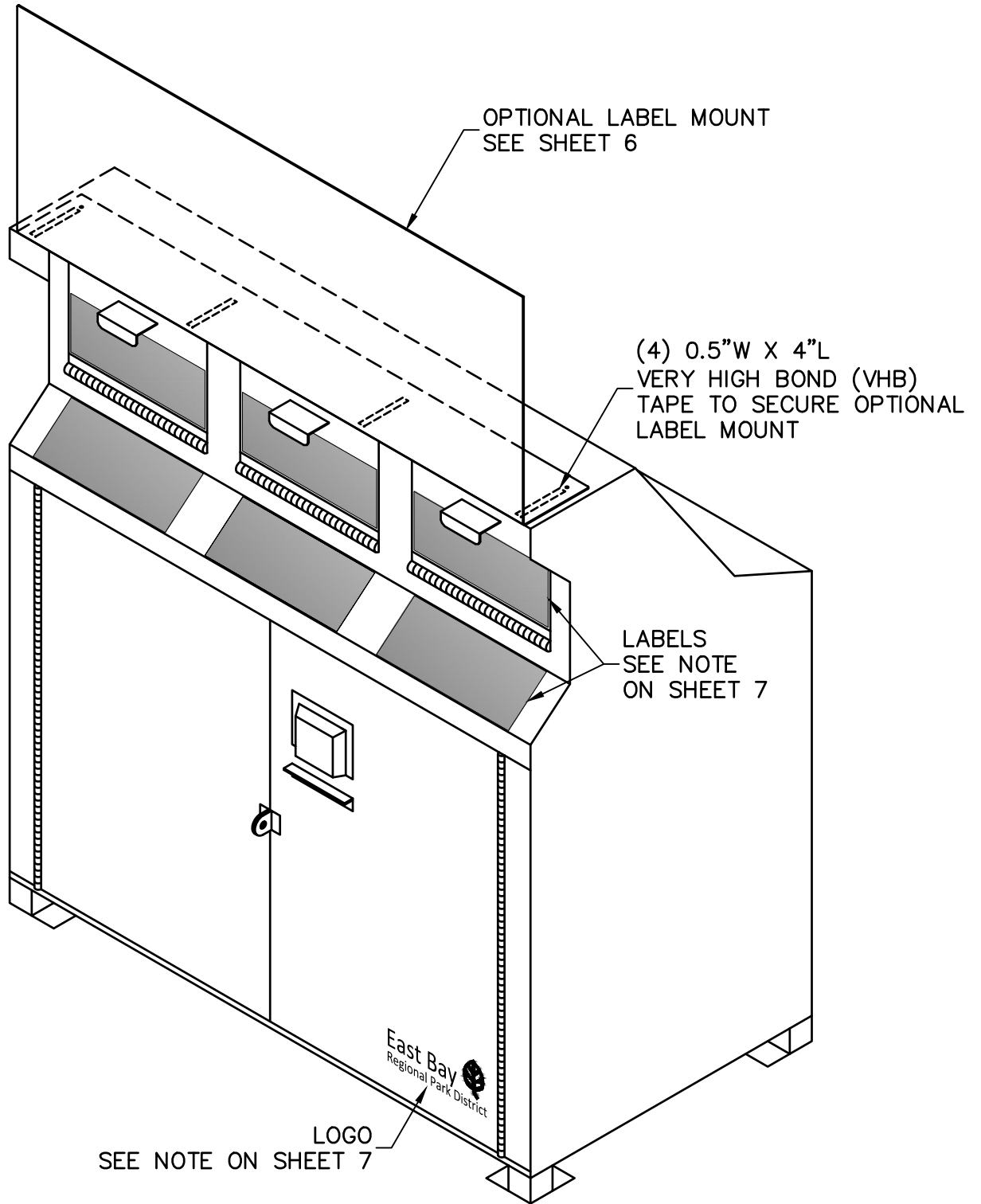
[Signature]

06/05/2024

STD PLAN

519

SHEET 2 OF 7
NOT TO SCALE



(C) ISOMETRIC VIEW – LOGOS AND LABELS



3-STREAM SORTING STATION

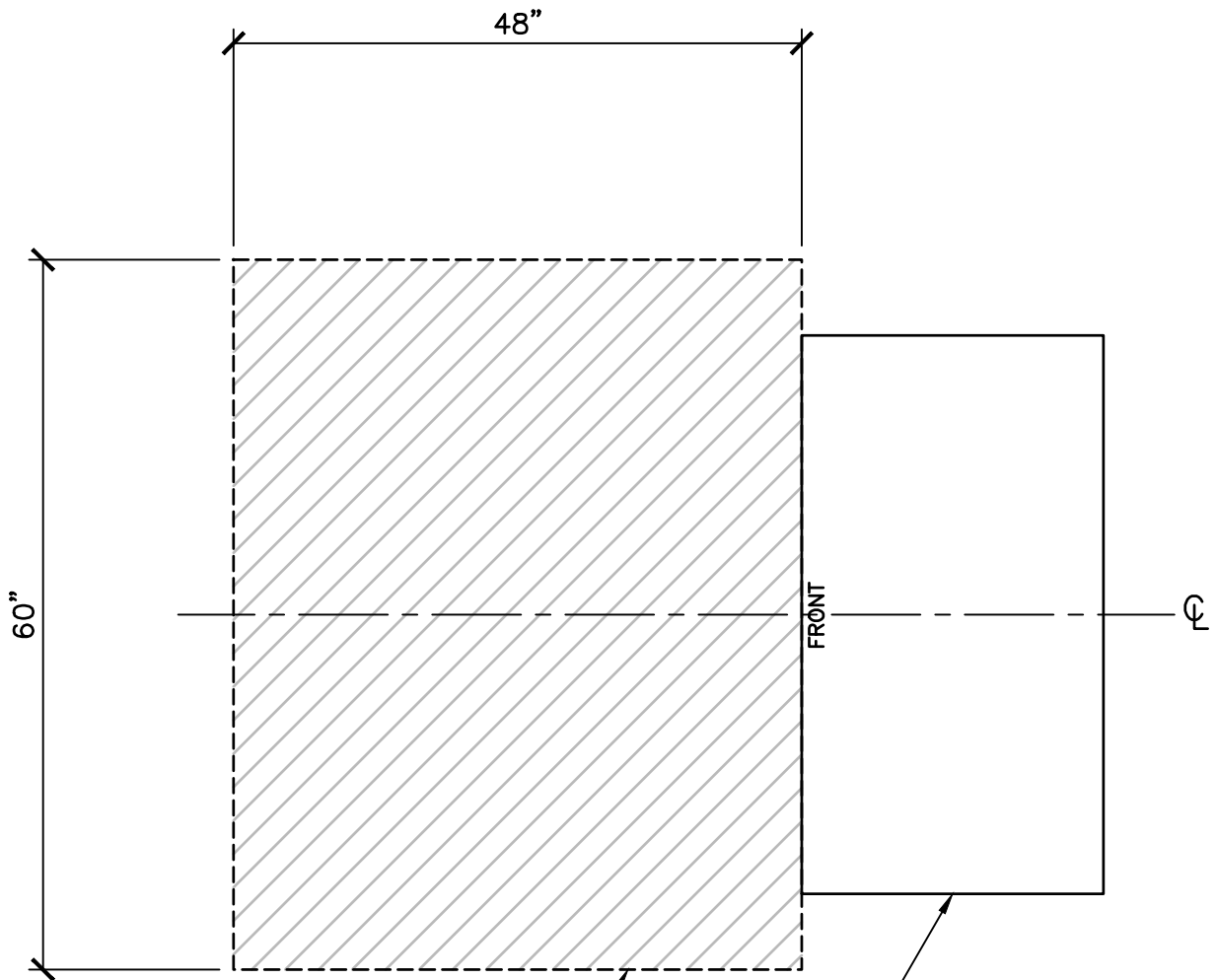
REVIEWED BY THE PARK STANDARDS COMMITTEE, AND
APPROVED BY THE CHIEF OF DESIGN & CONSTRUCTION

06/05/2024

STD PLAN

519

SHEET **3** OF **7**
NOT TO SCALE



CLEAR SPACE FOR FRONT OR SIDE APPROACH TO EACH OPENING

SORTING STATION

ⓓ CLEAR SPACE - PLAN



3-STREAM SORTING STATION

REVIEWED BY THE PARK STANDARDS COMMITTEE, AND APPROVED BY THE CHIEF OF DESIGN & CONSTRUCTION

[Signature]

06/05/2024

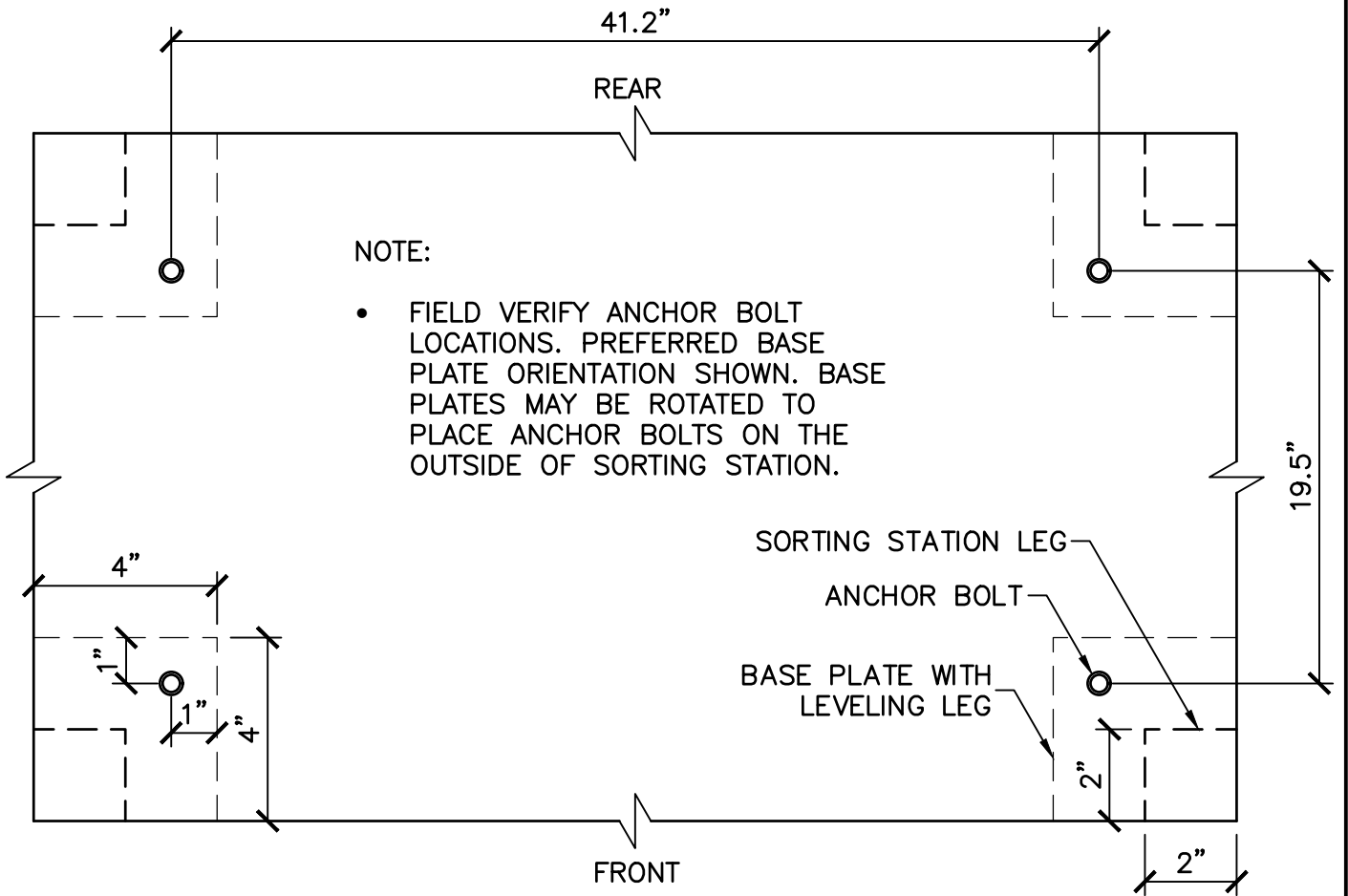
EAST BAY REGIONAL PARK DISTRICT - STANDARD PLANS

STD PLAN

519

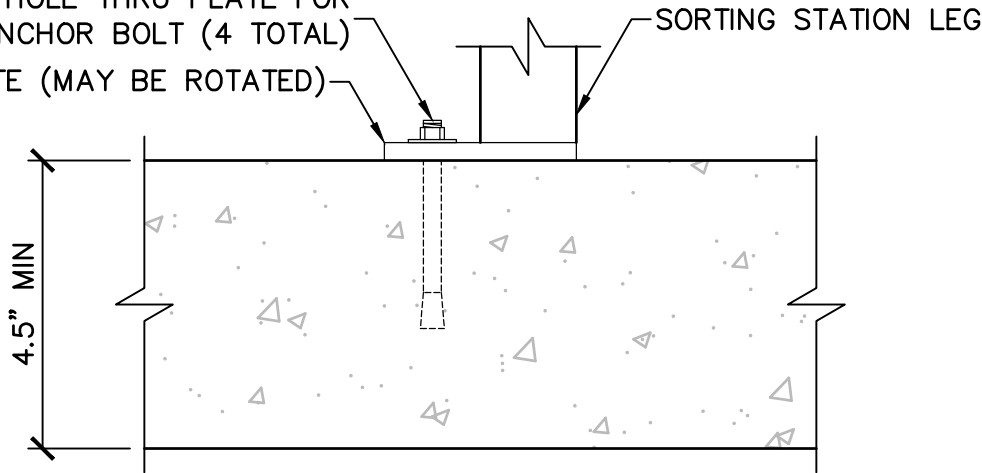
SHEET 4 OF 7

NOT TO SCALE



PLAN

$\frac{1}{2}$ " DIA HOLE THRU PLATE FOR
 $\frac{3}{8}$ " DIA ANCHOR BOLT (4 TOTAL)
 BASE PLATE (MAY BE ROTATED)



ELEVATION

(E) SURFACE MOUNT



3-STREAM SORTING STATION

REVIEWED BY THE PARK STANDARDS COMMITTEE, AND APPROVED BY THE CHIEF OF DESIGN & CONSTRUCTION

[Signature]

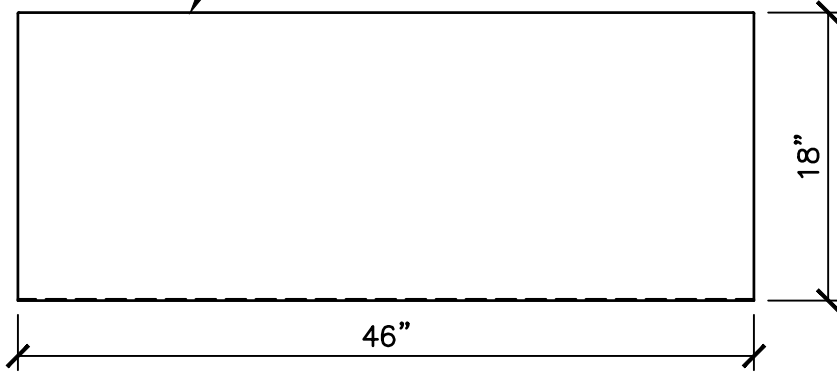
06/05/2024

STD PLAN

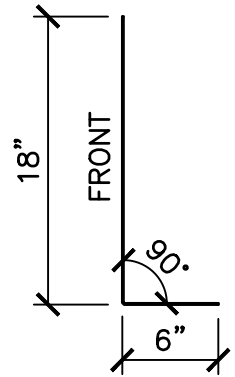
519

SHEET **5** OF **7**
NOT TO SCALE

14 GAUGE STEEL WITH
BROWN POWDER COATING TO
MATCH BEAR SAVER

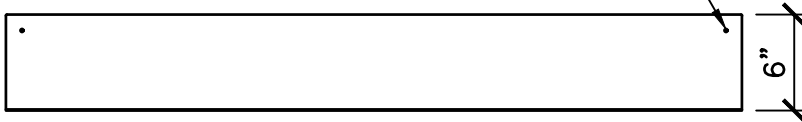


ELEVATION



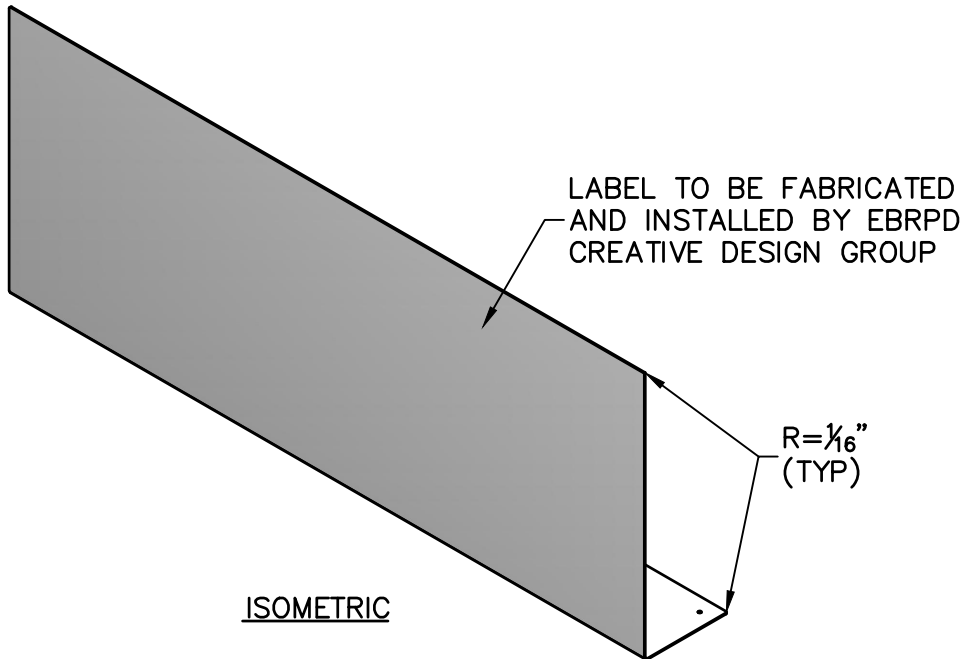
SECTION

$\frac{3}{16}$ " \pm HOLE FOR POWDER COAT
HANGING AS REQUIRED



FRONT

PLAN



ISOMETRIC

(F) LABEL MOUNT FABRICATION (OPTIONAL)



3-STREAM SORTING STATION

REVIEWED BY THE PARK STANDARDS COMMITTEE, AND
APPROVED BY THE CHIEF OF DESIGN & CONSTRUCTION

06/05/2024

STD PLAN

519

SHEET **6** OF **7**

NOT TO SCALE

ADA ACCESSIBILITY

1. ADA ACCESSIBLE 3–STREAM SORTING STATION CLEAR SPACE REQUIREMENTS (CALIFORNIA STATE PARKS ACCESSIBILITY GUIDELINES):
 - 1.1. SORTING STATION SHALL BE PLACED SUCH THAT THERE SHALL BE A MINIMUM 36” X 48” CLEAR SPACE POSITIONED FOR A FORWARD APPROACH OR A 30” X 60” CLEAR SPACE POSITIONED FOR A PARALLEL APPROACH TO EACH RECEPTACLE OPENING.
 - 1.2. THE MAXIMUM SLOPE OF THE CLEAR SPACE SURROUNDING THE SORTING STATION SHALL BE 2% FOR PAVED SURFACES AND UP TO 5% AS REQUIRED FOR DRAINAGE OF UNPAVED SURFACES.

MATERIALS

2. 3–STREAM SORTING STATION
 - 2.1. MANUFACTURER: BEARSAVER
1390 SOUTH MILLIKEN AVE
ONTARIO, CA 91761
PHONE: (800) 851–3887
WEB: WWW.BEARSAVER.COM
 - 2.2. MODEL: CE340–CHSS IN FOREST BROWN COLOR WITH THREE 40 GALLON PLASTIC LINERS, GALVANNEALED STEEL LINER DIVIDERS, ADA COMPLIANT, ZINC–RICH PRIMER FOR ADDED CORROSION RESISTANCE, STAINLESS STEEL PADLOCK HASP AND ANIMAL RESISTANT.
3. ANCHOR BOLTS TO BE 3/8” DIA TYPE 304 OR 316 STAINLESS STEEL WEDGE ANCHORS WITH 3.5” MIN EMBEDMENT INTO CONC. MANUFACTURER/SUPPLIER: SIMPSON STRONG–BOLT 2, HILTI KWIK BOLT 3, RED HEAD TRUBOLT, OR EQUAL.
4. VERY HIGH BOND (VHB) MOUNTING TAPE
 - 4.1. 3M VHB TAPE 4910 OR EQUAL.

WORKMANSHIP

5. INSTALL EXPANSION ANCHOR BOLTS PER THE MANUFACTURER’S RECOMMENDATIONS. INSTALL WASHERS UNDER NUTS AS REQUIRED TO ACHIEVE RECOMMENDED TIGHTENING TORQUE. IF AN ANCHOR BOLT FAILS DURING TIGHTENING, ROTATE BASE PLATE AND INSTALL A NEW BOLT AT THE NEW LOCATION.
6. LABELS AND LOGOS FOR SORTING STATION TO BE PROVIDED AND INSTALLED BY EBRPD CREATIVE DESIGN GROUP.
7. ADJUST LEVELING LEGS SO THAT SORTING STATION IS PLUMB.
8. CLEAN BOTH THE TOP OF SORTING STATION AND BASE OF LABEL MOUNT WITH SOAP AND WATER. DRY THOROUGHLY BEFORE APPLYING VHB TAPE.



3-STREAM SORTING STATION

REVIEWED BY THE PARK STANDARDS COMMITTEE, AND APPROVED BY THE CHIEF OF DESIGN & CONSTRUCTION

06/05/2024

EAST BAY REGIONAL PARK DISTRICT - STANDARD PLANS

STD PLAN

519

SHEET 7 OF 7

NOT TO SCALE