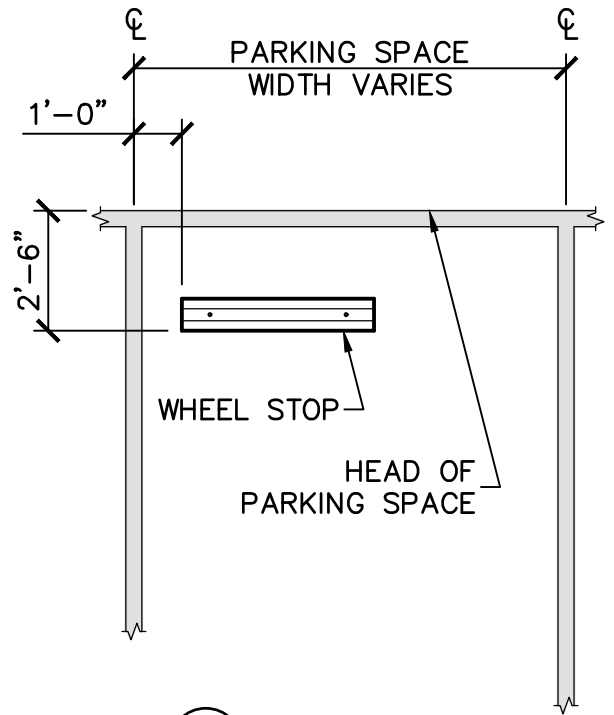


A ISOMETRIC VIEW



B PLAN VIEW

NOTES

1. WHEEL STOPS CANNOT STOP VEHICLES AND ONLY SERVE AS A SIGNAL TO DRIVERS THAT THEY SHOULD STOP TO PREVENT DAMAGING INFRASTRUCTURE OR INTRUDING INTO A PATH OF TRAVEL. USE BOLLARDS OR SIMILAR OBSTACLES WHERE PROTECTION IS REQUIRED.
2. WHEEL STOPS SHALL NOT BE INSTALLED IN ANY DESIGNATED OR INFORMAL PATH OF TRAVEL.
3. WHERE PARKING SPACE IS 11'-0" OR WIDER, INSTALL TWO WHEEL STOPS.
4. WHEEL STOPS SHALL BE PRECAST CONCRETE WITH A MINIMUM COMPRESSIVE STRENGTH OF 4,000 PSI AT 28 DAYS.
5. WHEEL STOPS SHALL BE REINFORCED WITH A MINIMUM OF TWO #4 DEFORMED BARS.
6. WHEEL STOPS SHALL HAVE A MIN OF TWO 3/4" DIA HOLES FOR ANCHORS, EXCEPT WHERE WHEEL STOPS ARE ADHERED TO CONCRETE PAVING PER NOTE 9 BELOW.
7. DIMENSIONS SHOWN ARE TYPICAL AND MAY BE SUPERSEDED BY SPECIFIC PROJECT REQUIREMENTS.
8. ANCHOR WHEEL STOPS WITH TWO 5/8" DIA BY 24" LONG BARS. USE GALVANIZED OR EPOXY COATED ROUND BAR OR DEFORMED REBAR.
9. AT CONC PAVING, DRILL HOLES THROUGH CONCRETE FOR ANCHORS OR USE EPOXY ADHESIVE PER CALTRANS STANDARD SPECIFICATIONS 95-1.02E OR 95-1.02F.
10. WHEEL STOPS AT ADA PARKING SHALL BE PAINTED BLUE. USE WATER BASED LOW VOC TRAFFIC PAINT BY BENJAMIN MOORE, SHERWIN WILLIAMS, OR EQUAL.



CONCRETE WHEEL STOP

REVIEWED BY THE PARK STANDARDS COMMITTEE, AND APPROVED BY THE CHIEF OF DESIGN & CONSTRUCTION

1/11/2024

EAST BAY REGIONAL PARK DISTRICT - STANDARD PLANS

STD PLAN

403

SHEET 1 OF 1
NOT TO SCALE