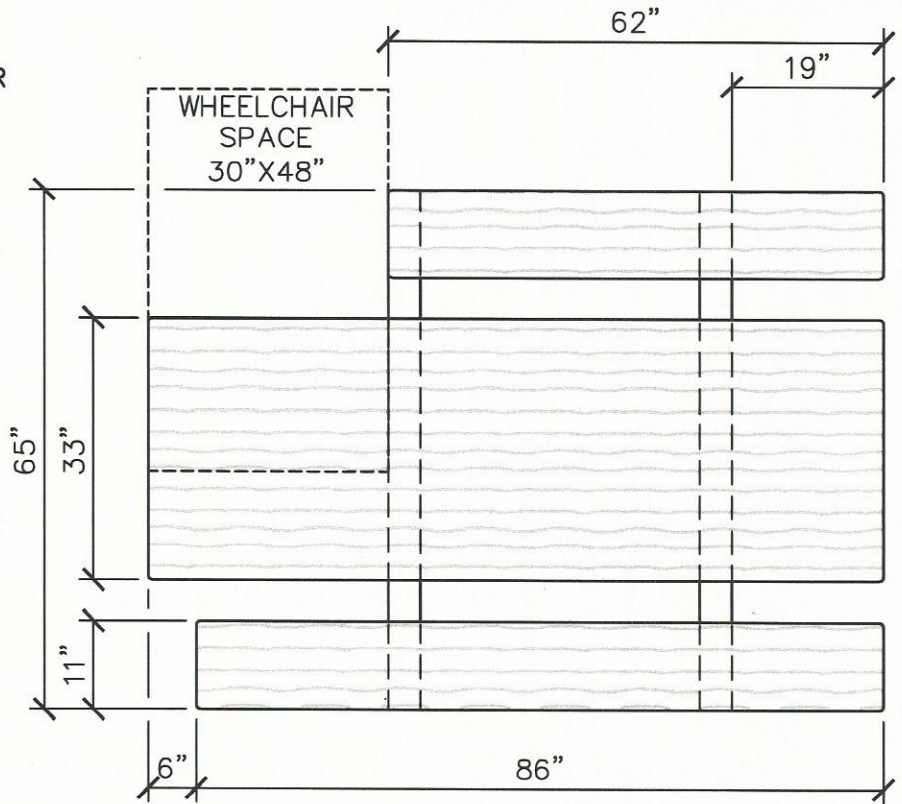


NOTES:

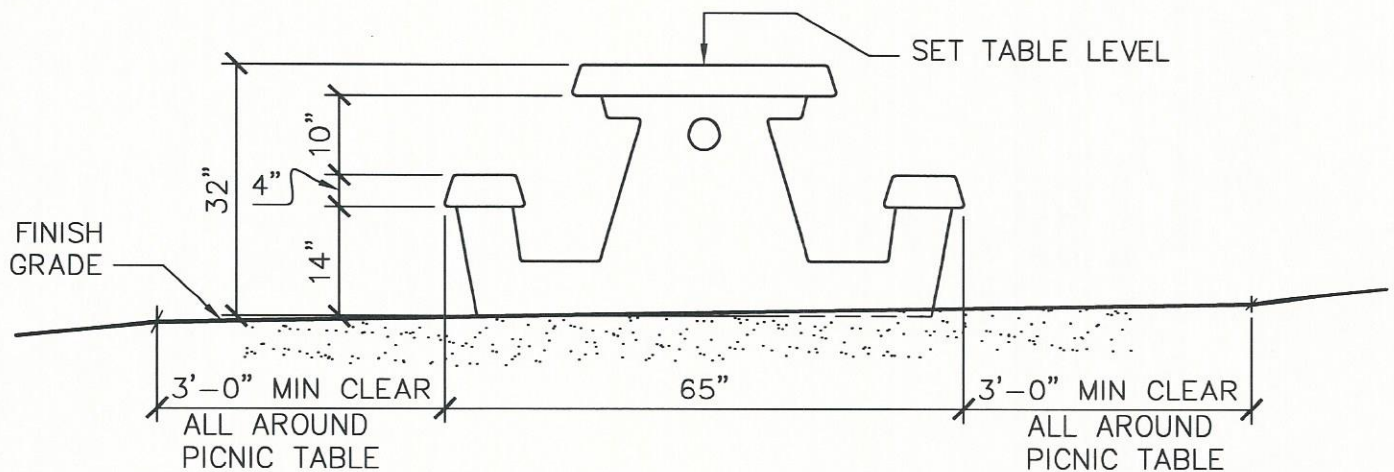
1. CONCRETE PICNIC TABLE BY OUTDOOR CREATIONS, INC. OR EQUAL.
P.O. BOX 50 ROUND MOUNTAIN, CA 96084
PHONE (530) 337-6774
2. MODELS: **104FSLE** FOR LEFT SIDE WHEELCHAIR OR **104FSRE** FOR RIGHT SIDE WHEELCHAIR.
TEXTURE: WOODGRAIN TOP AND SEAT, SMOOTH LEGS
COLOR: KAILUA
SEALER: ANTI-GRAFFITI NON-SACRIFICIAL COATINGS
3. INSTALLATION LOCATION AND ORIENTATION PER APPROVED PLAN, OR AS MARKED IN THE FIELD AT THE DIRECTION AND APPROVAL OF THE AUTHORIZED DISTRICT REPRESENTATIVE.
4. CONCRETE PICNIC TABLES TO BE INSTALLED ONLY AT HIGH VANDALISM PARK ENVIRONMENT OR AT CORROSIVE MARINE ENVIRONMENT.
5. ALL ADA PICNIC TABLES MUST COMPLY WITH THE ADA STANDARDS AND THE STATE REQUIREMENTS FOR SITE ACCESSIBILITY. REFER TO THE LATEST EDITION OF THE "CALIFORNIA STATE PARKS ACCESSIBILITY GUIDELINES" FOR OTHER REQUIREMENTS (NUMBER OF TABLES, CLEAR SPACE, SURFACE, SLOPE, ROUTE OF TRAVEL ETC.)



PLAN



ADA CONCRETE PICNIC TABLE



TYPICAL END ELEVATION



ADA CONCRETE PICNIC TABLE

DRAWN	ZT	KEY	REVISIONS	DATE	APPROVED
CHECKED	gg		ORIGINAL ISSUE	10-10-16	<i>Polini</i>
OPERATIONS					ROB LIM, PE, CHIEF OF DESIGN & CONSTRUCTION
					DATE 11/23/16

STD PLAN

510

SHEET 1 OF 1
NOT TO SCALE