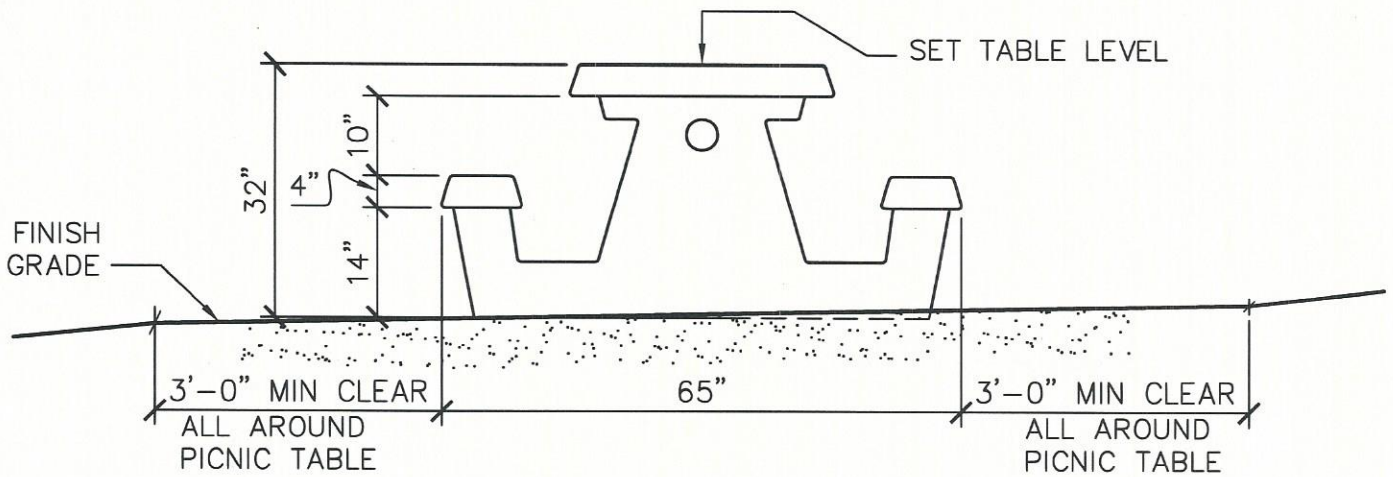


PLAN
STANDARD CONCRETE PICNIC TABLE



TYPICAL END ELEVATION

NOTES:

1. CONCRETE PICNIC TABLE BY OUTDOOR CREATIONS, INC. OR EQUAL.
P.O.BOX 50 ROUND MOUNTAIN, CA 96084
PHONE (530) 337-6774
2. MODEL: 104FSS- STANDARD
TEXTURE: WOODGRAIN TOP AND SEAT, SMOOTH LEGS
COLOR: KAILUA
SEALER: ANTI-GRAFFITI NON-SACRIFICIAL COATINGS
3. INSTALLATION LOCATION AND ORIENTATION PER APPROVED PLAN, OR AS MARKED IN THE FIELD AT THE DIRECTION AND APPROVAL OF THE AUTHORIZED DISTRICT REPRESENTATIVE.
4. CONCRETE PICNIC TABLES TO BE INSTALLED ONLY AT HIGH VANDALISM PARK ENVIRONMENT OR AT CORROSIVE MARINE ENVIRONMENT.



STANDARD CONCRETE PICNIC TABLE

DRAWN	ZT	KEY	REVISIONS	DATE	APPROVED
CHECKED	gg	△	ORIGINAL ISSUE	10-10-16	<i>Rob Lim</i>
OPERATIONS					ROB LIM, PE, CHIEF OF DESIGN & CONSTRUCTION
					DATE 11/23/16

STD PLAN

509

SHEET 1 OF 1

NOT TO SCALE