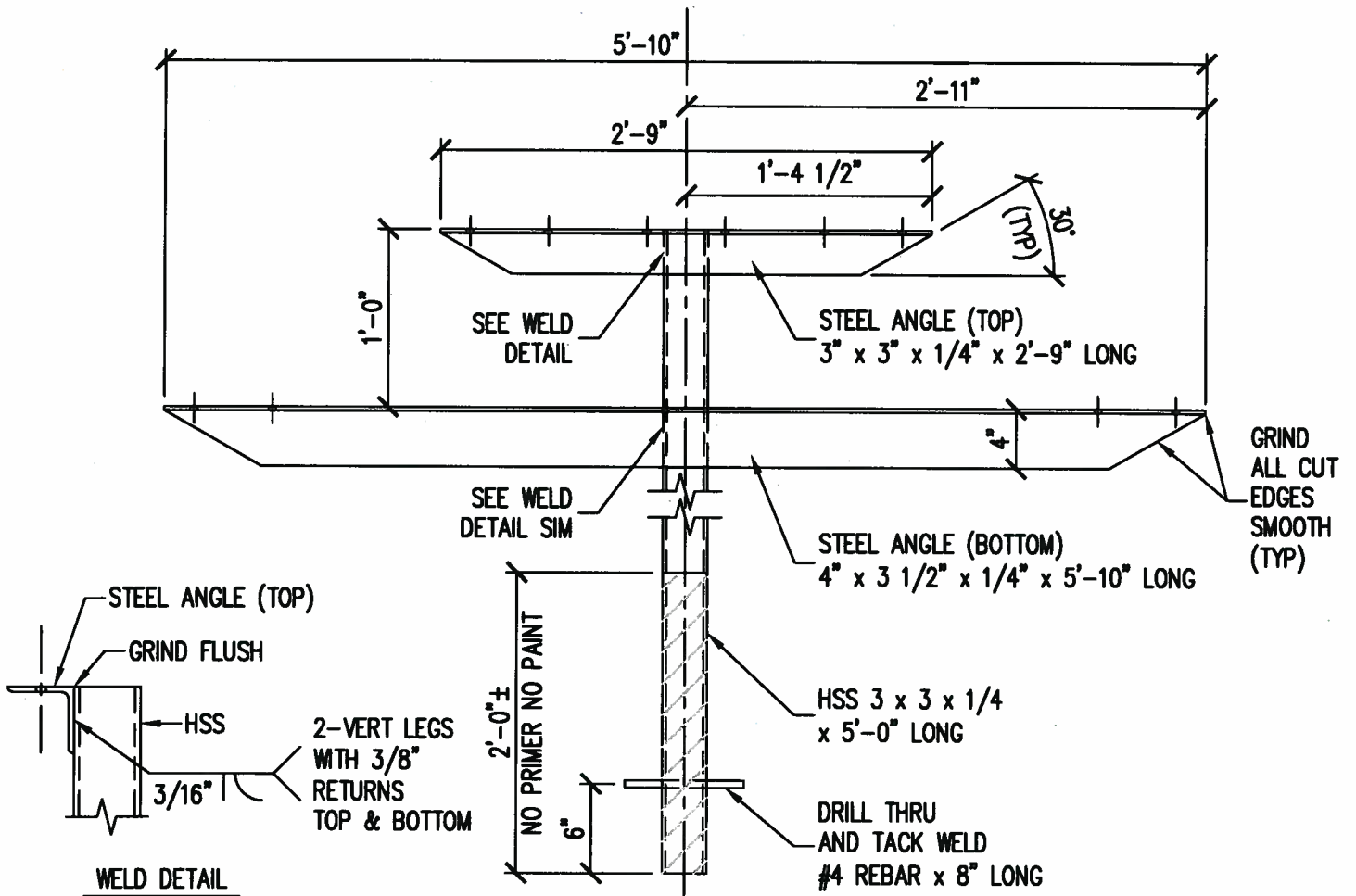


PLAN

DRILL THRU
FOR 3/8" HDG BOLT
10 PLACES



ELEVATION

NOTES:

- SEE DISTRICT STANDARD PLAN 580 FOR BRACE FABRICATION NOTES.



PICNIC TABLE BRACE - FABRICATION

DRAWN	CR	KEY	REVISIONS	DATE	APPROVED
CHECKED	RB	△	ORIGINAL ISSUE	01-05-16	<i>Polli</i>
OPERATIONS	DC				ROB LIM, PE, CHIEF OF DESIGN & CONSTRUCTION
					DATE 1/12/16

STD PLAN

583

SHEET 1 OF 1
NOT TO SCALE