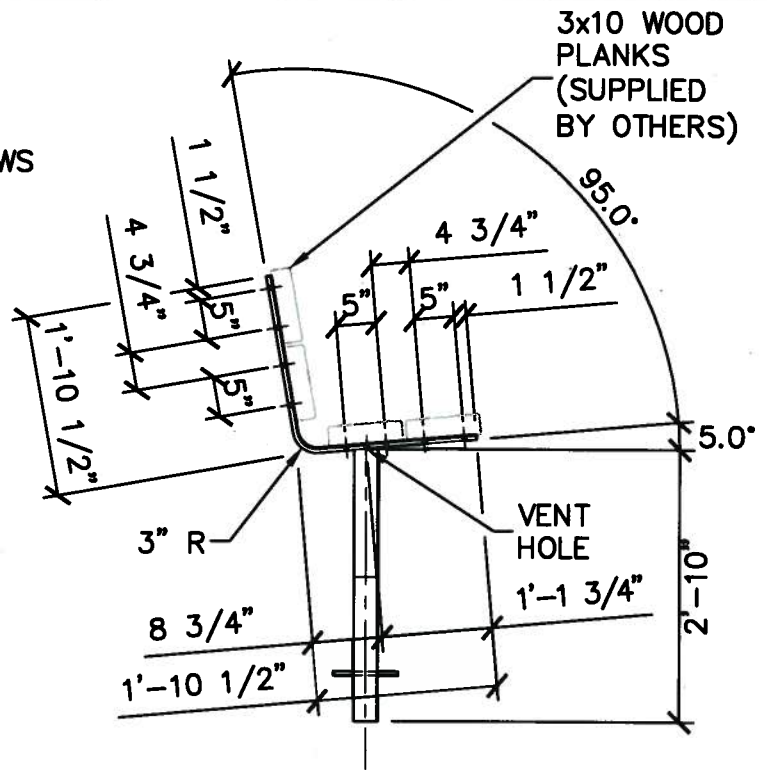
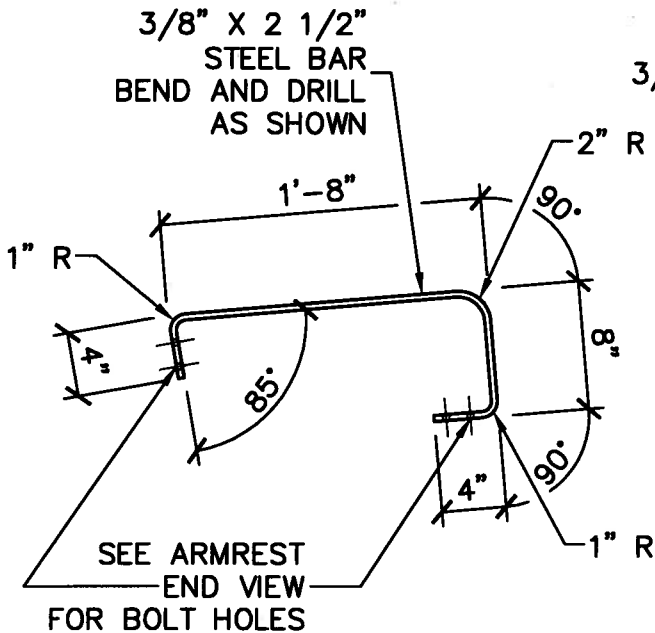


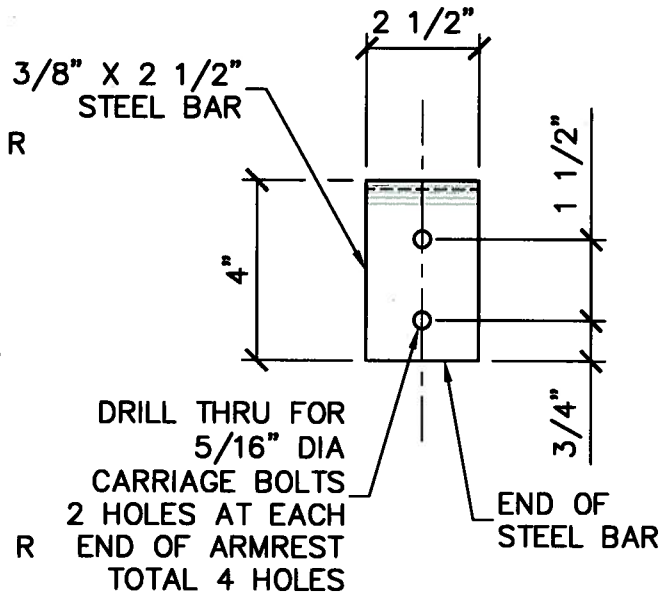
**BENCH BRACE FRONT VIEW**



**BENCH BRACE SIDE VIEW**



**ARMREST SIDE VIEW**



**ARMREST END VIEW**

**NOTES:**

1. SEE DISTRICT STANDARD PLAN 580 FOR BRACE AND ARMREST FABRICATION NOTES.



**ADA BENCH BRACE AND ARMREST - FABRICATION**

DRAWN	CR	KEY	REVISIONS	DATE	APPROVED
CHECKED	RB	△	ORIGINAL ISSUE	01-05-16	<i>John</i>
OPERATIONS	DC				ROB LIM, PE, CHIEF OF DESIGN & CONSTRUCTION
					DATE 1/12/16

STD PLAN

**582**

SHEET 1 OF 1  
NOT TO SCALE