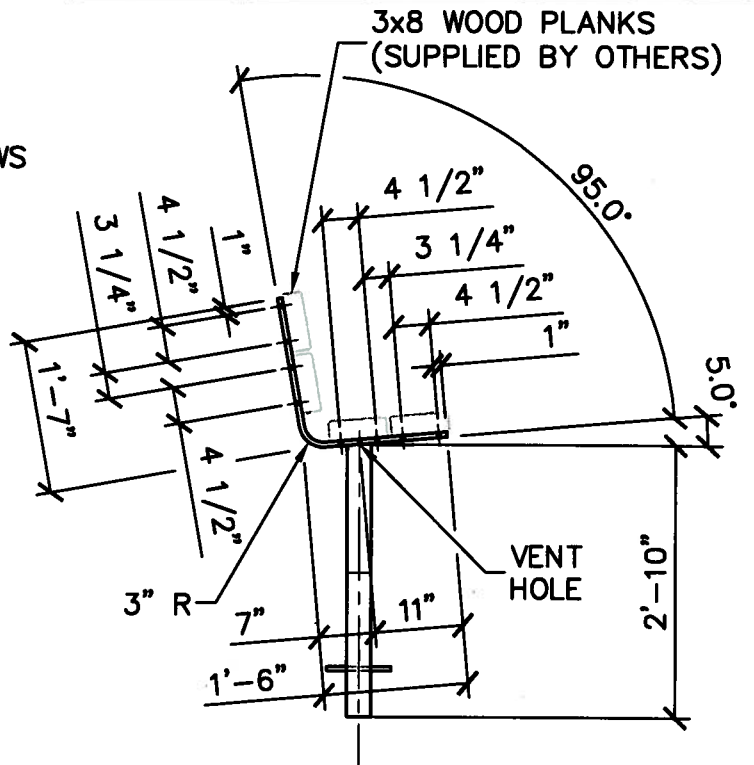
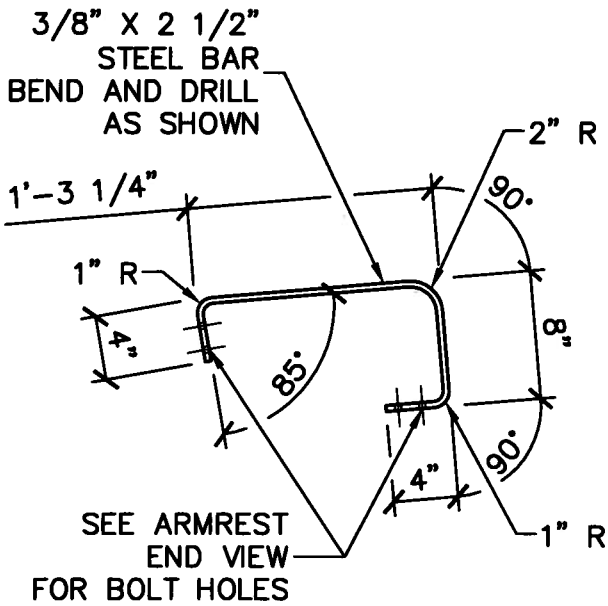


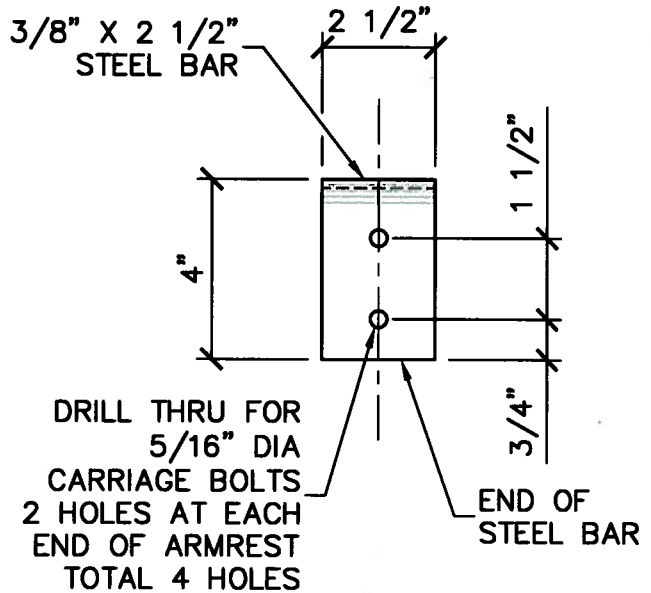
BENCH BRACE FRONT VIEW



BENCH BRACE SIDE VIEW



ARMREST SIDE VIEW



ARMREST END VIEW

NOTES:

1. SEE DISTRICT STANDARD PLAN 580 FOR BRACE AND ARMREST FABRICATION NOTES.



STANDARD BENCH BRACE AND ARMREST - FABRICATION

DRAWN	CR	KEY	REVISIONS	DATE
CHECKED	RB	△	ORIGINAL ISSUE	01-05-16
OPERATIONS	DC			

APPROVED

Roller

ROB LIM, PE, CHIEF OF DESIGN & CONSTRUCTION

DATE 1/12/16

STD PLAN

581

SHEET 1 OF 1

NOT TO SCALE