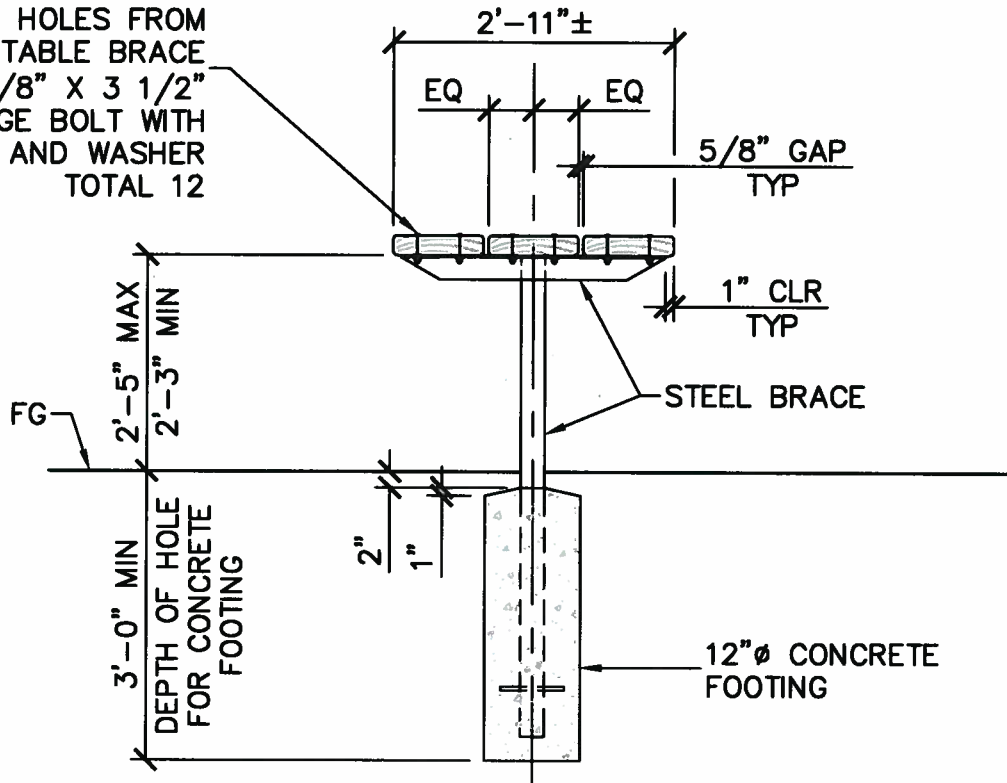


SIDE ELEVATION

DRILL 7/16" HOLE THRU WOOD PLANKS TEMPLATE HOLES FROM PICNIC TABLE BRACE INSTALL 3/8" X 3 1/2" CARRIAGE BOLT WITH HEX NUT AND WASHER TOTAL 12



END ELEVATION

NOTES:

1. SEE DIST STD PLAN 504 FOR WOOD TABLE INSTALLATION NOTES.
2. SEE DIST STD PLAN 584 FOR SERVING TABLE BRACE FABRICATION.



WOOD SERVING TABLE - INSTALLATION

DRAWN	CR	KEY	REVISIONS	DATE	APPROVED
CHECKED	RB	△	ORIGINAL ISSUE	01-05-16	<i>Koller</i>
OPERATIONS	DC				ROB LIM, PE, CHIEF OF DESIGN & CONSTRUCTION
					DATE 1/12/16

STD PLAN

507

SHEET 1 OF 1
NOT TO SCALE