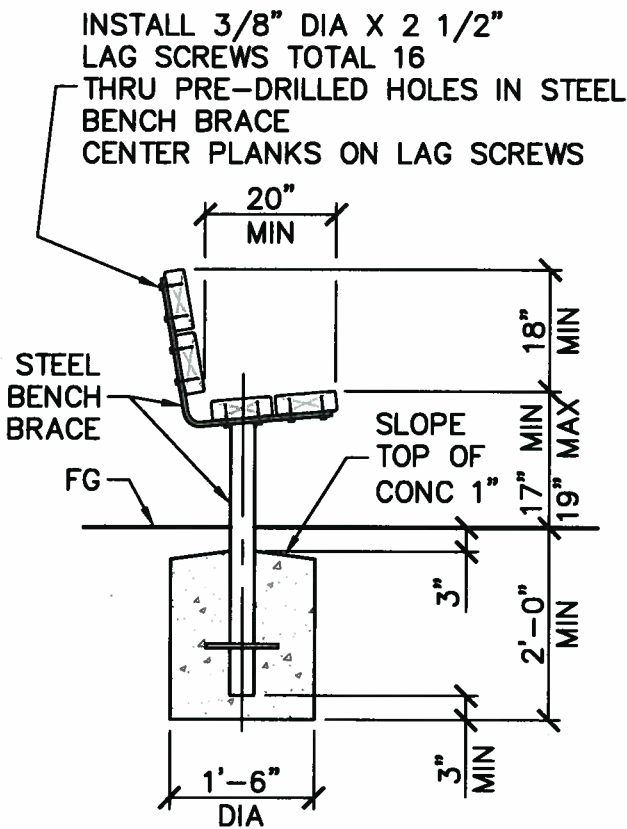
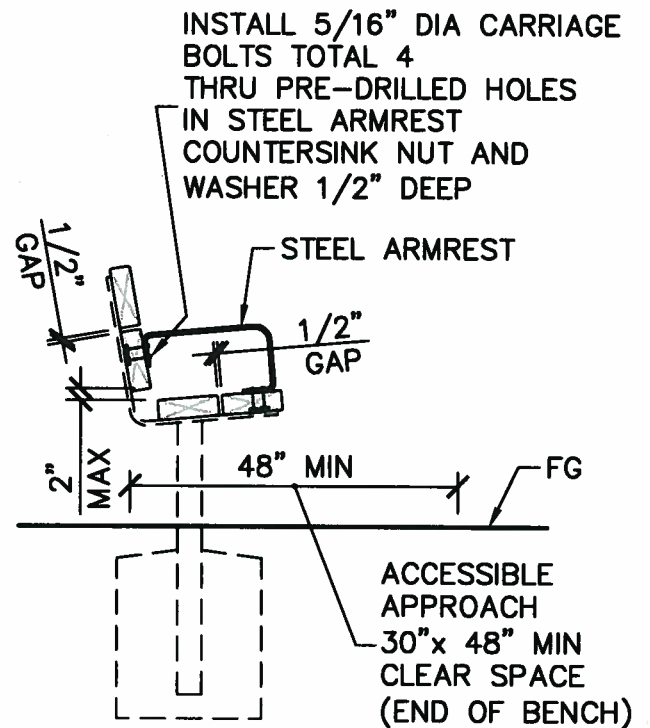


**ELEVATION**



**SECTION AT FOOTING**



**SECTION AT ARMREST**

**NOTES:**

1. SEE DIST STD PLAN 501 FOR WOOD BENCH INSTALLATION NOTES.
2. SEE DIST STD PLAN 582 FOR ADA BENCH BRACE AND ARMREST FABRICATION.



**ADA WOOD BENCH - INSTALLATION**

DRAWN	CR	KEY	REVISIONS	DATE	APPROVED
CHECKED	RB	△	ORIGINAL ISSUE	01-05-16	<i>Dolan</i>
OPERATIONS	DC				ROB LIM, PE, CHIEF OF DESIGN & CONSTRUCTION
				DATE	1/12/16

STD PLAN

**503**

SHEET 1 OF 1

NOT TO SCALE