

NOTES:

1. LOCATE UNDERGROUND UTILITIES PRIOR TO DIGGING. CALL USA (UNDERGROUND SERVICE ALERT) 1-800-277-2600, MON THRU FRI 6AM TO 7PM, A MINIMUM 2 WORKING DAYS WITH A MAXIMUM 14 CALENDAR DAYS, TO OBTAIN A TICKET. CONTACT THE DISTRICT INSPECTOR OR PARK SUPERVISOR FOR DISTRICT UTILITIES NOT LOCATED BY USA.
2. POSTS AND RAILS SHALL BE OF THE SAME MATERIAL, EITHER CEDAR OR REDWOOD.
3. POSTS SHALL BE 4X5 SPLIT CEDAR OR FSC CERTIFIED REDWOOD, 78-80 INCHES LONG, WITHOUT MORTISE, THICKNESS MAY VARY.
4. SET POSTS PLUMB AND BACKFILL WITH NATIVE MATERIAL. REMOVE ALL ROCKS AND CLODS GREATER THAN 1.5" THEN COMPACT IN 6" LIFTS.
5. RAILS SHALL BE 2X4 SPLIT CEDAR OR REDWOOD, 10FT LONG, WITHOUT TENON OR SCARF ON ENDS, THICKNESS MAY VARY.
6. INSTALL RAILS PARALLEL TO GROUND AND FOLLOW STAGGERED PATTERN AS SHOWN ON SHEET 2. RAILS SHALL FACE TRAIL, UNLESS OTHERWISE NOTED.
7. STRUCTURAL SCREWS SHALL BE 5/16 SELF-DRILLING RUGGED STRUCTURAL SCREWS "RSS" WITH "CLIMATEK" COATING, AS MANUFACTURED BY GRK CANADA LTD, OR EQUAL. CHOOSE LENGTH OF SCREWS TO PROVIDE A MINIMUM OF 2" PENETRATION INTO POST. SCREWS SHALL NOT PROJECT BEYOND THE BACK OF POST.
8. INSTALL STRUCTURAL SCREWS CENTERED ON AND PERPENDICULAR TO MEMBERS.
9. SPLIT RAIL POSTS AND RAILS SHALL NOT BE COATED (DO NOT SEAL, PAINT OR STAIN).



SPLIT RAIL WOOD FENCE

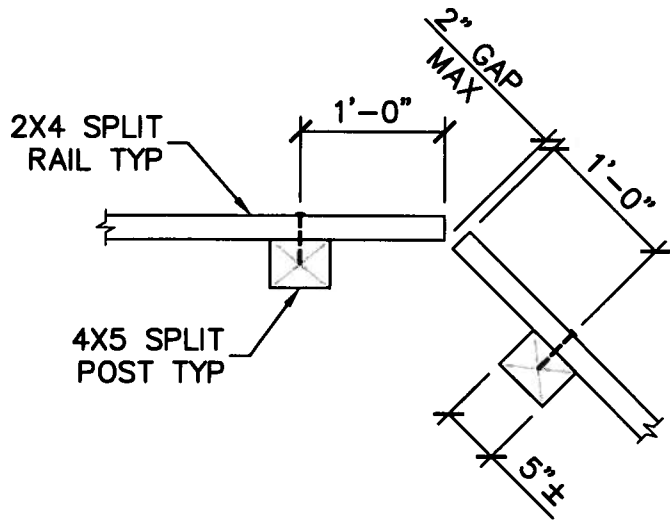
DRAWN	CR	KEY	REVISIONS	DATE	APPROVED
CHECKED	LB		ORIGINAL ISSUE	02-04-16	
OPERATIONS	DC				ROB LIM, PE, CHIEF OF DESIGN & CONSTRUCTION
					DATE 2/11/16

STD PLAN

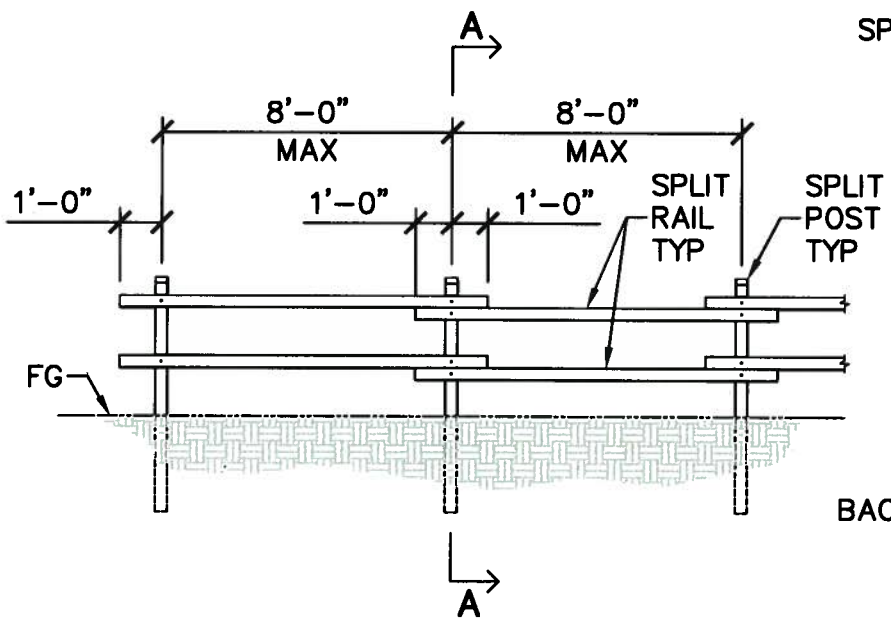
208

SHEET 1 OF 2

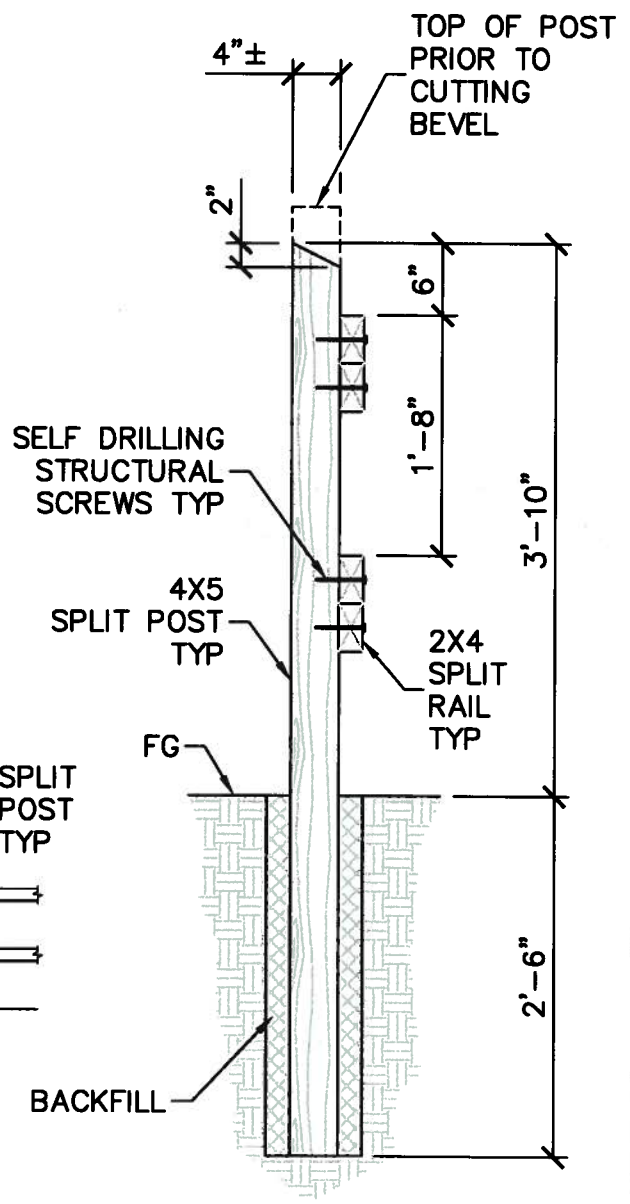
NOT TO SCALE



PLAN AT OBTUSE OR ACUTE CORNER



ELEVATION



SECTION A-A



SPLIT RAIL WOOD FENCE

DRAWN	CR	KEY	REVISIONS	DATE	APPROVED
CHECKED	KB	△	ORIGINAL ISSUE	02-04-16	<i>[Signature]</i>
OPERATIONS	DC				ROB LIM, PE, CHIEF OF DESIGN & CONSTRUCTION
					DATE 2/11/16

STD PLAN

208

SHEET 2 OF 2
NOT TO SCALE