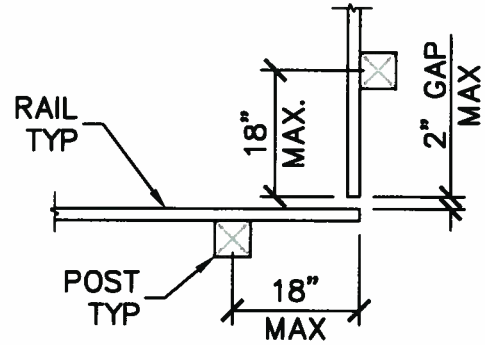
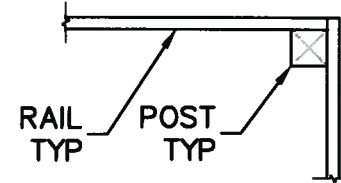


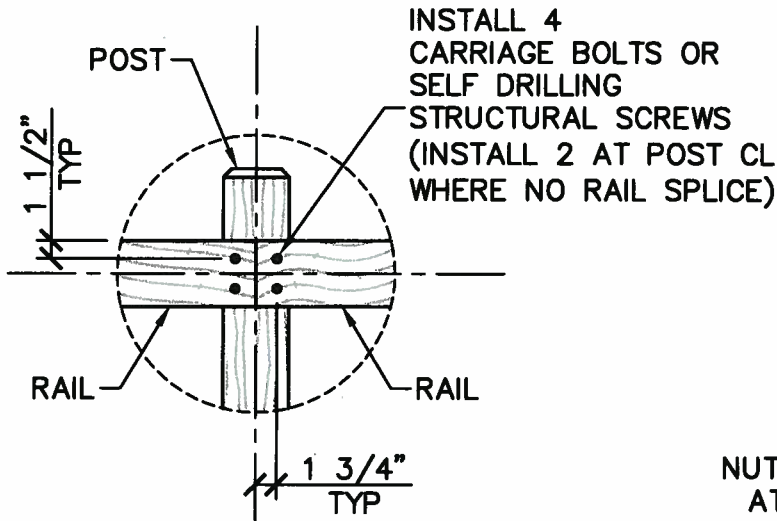
PLAN AT OBTUSE OR ACUTE CORNER



ALTERNATE PLAN AT 90° CORNER



PLAN AT 90° CORNER

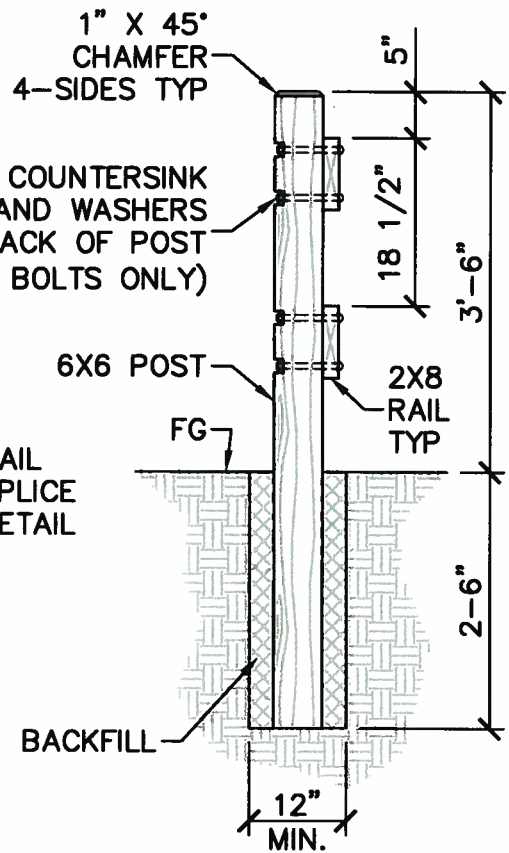


RAIL SPLICE DETAIL

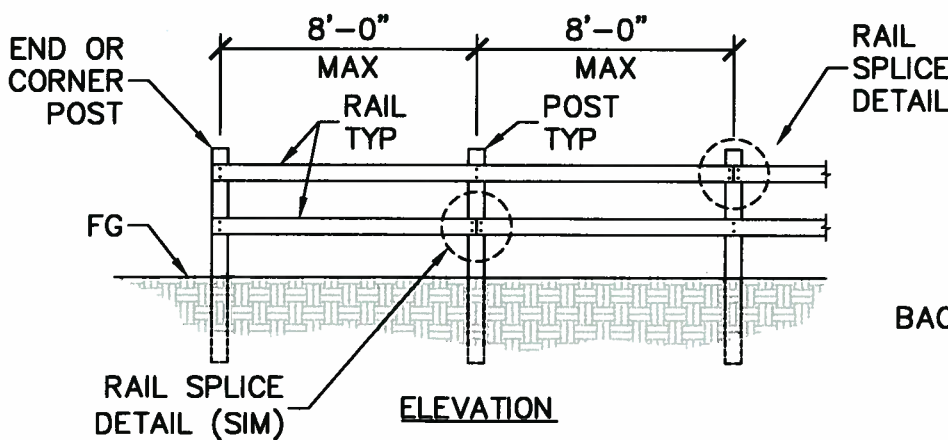
INSTALL 4 CARRIAGE BOLTS OR SELF DRILLING STRUCTURAL SCREWS (INSTALL 2 AT POST CL WHERE NO RAIL SPLICE)

1" X 45° CHAMFER 4-SIDES TYP

COUNTERSINK NUTS AND WASHERS AT BACK OF POST (CARRIAGE BOLTS ONLY)



SECTION



ELEVATION

NOTE:

1. SEE EBRPD STANDARD PLAN 201 FOR WOOD FENCE GENERAL NOTES.



TWO-RAIL WOOD FENCE

DRAWN	CR	KEY	REVISIONS	DATE	APPROVED
CHECKED	AS	▲	ORIGINAL ISSUE	12-04-15	<i>Polli</i>
OPERATIONS	DC				ROB LIM, PE, CHIEF OF DESIGN & CONSTRUCTION
					DATE 12/8/15

STD PLAN

203

SHEET 1 OF 1
NOT TO SCALE