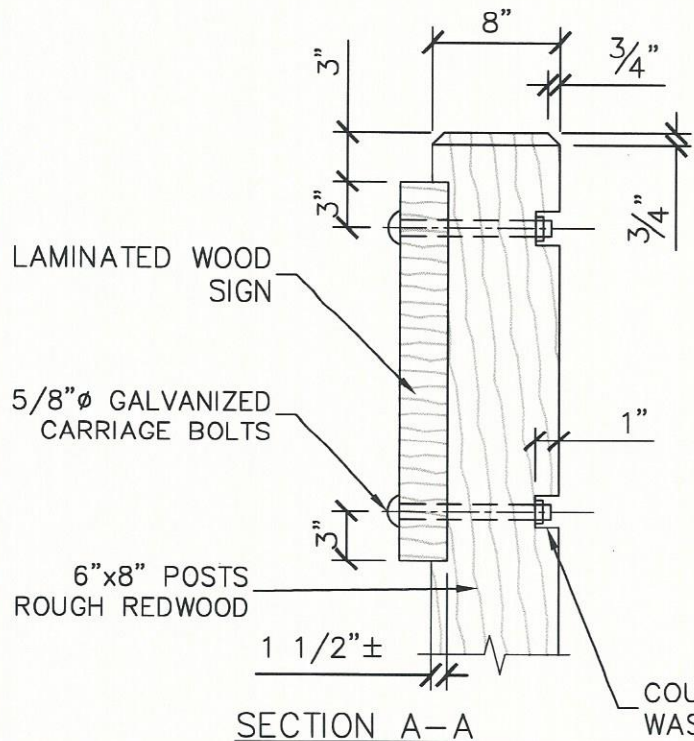


FRONT ELEVATION



SECTION A-A

NOTES:

1. INSTALLER SHALL PICK UP AND INSTALL PARK DISTRICT FURNISHED LAMINATED WOOD PARK ENTRY SIGN. NOTIFY DISTRICT INSPECTOR TEN (10) WORKING DAYS IN ADVANCE TO ARRANGE FOR PICK UP FROM:
EAST BAY REGIONAL PARK DISTRICT
ENVIRONMENTAL GRAPHICS STUDIO
5653 STONERIDGE DRIVE, SUITE 111
PLEASANTON, CA 94588
2. EXACT LOCATION OF PARK ENTRY SIGN TO BE AT THE DIRECTION AND APPROVAL OF THE DISTRICT INSPECTOR.
3. LOCATE UNDERGROUND UTILITIES PRIOR TO EXCAVATING POST HOLES. CALL 811 FOR UNDERGROUND SERVICE ALERT (USA). NOTE THAT USA DOES NOT LOCATE PARK DISTRICT FACILITIES, AND INSTALLER SHALL USE OTHER MEANS TO LOCATE THESE UTILITIES.



PARK ENTRY WOOD SIGN - POST MOUNT					STD PLAN
DRAWN	ZT	KEY	REVISIONS	DATE	APPROVED
CHECKED	gg	△	ORIGINAL ISSUE	10-10-16	<i>Rollin</i>
OPERATIONS	DC				ROB LIM, PE, CHIEF OF DESIGN & CONSTRUCTION
					DATE 10/19/16
					902
					SHEET 1 OF 1
					NOT TO SCALE