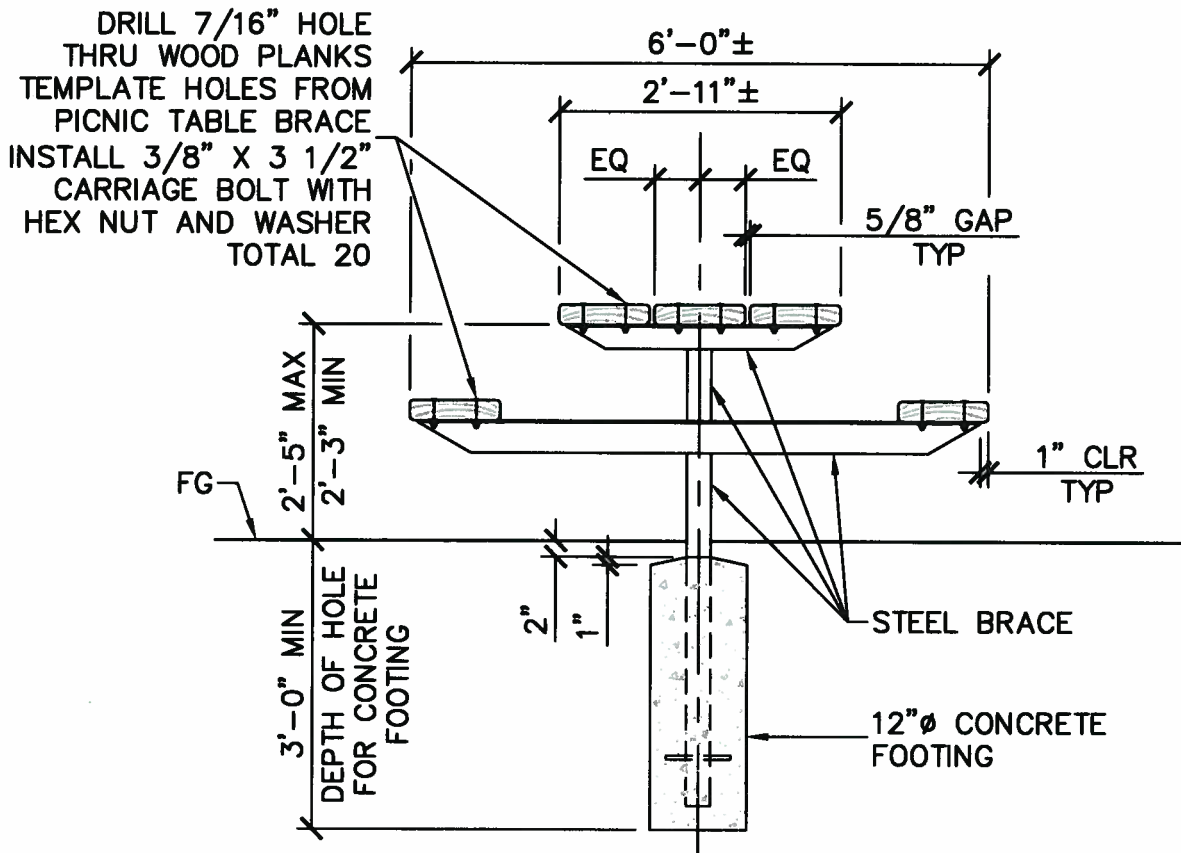


SIDE ELEVATION



END ELEVATION

NOTES:

1. SEE DIST STD PLAN 504 FOR WOOD TABLE INSTALLATION NOTES.
2. SEE DIST STD PLAN 583 FOR PICNIC TABLE BRACE FABRICATION.



STANDARD WOOD PICNIC TABLE - INSTALLATION

DRAWN	CR	KEY	REVISIONS	DATE	APPROVED
CHECKED	RB	△	ORIGINAL ISSUE	01-05-16	<i>Dollin</i>
OPERATIONS	DC				ROB LIM, PE, CHIEF OF DESIGN & CONSTRUCTION
					DATE 1/12/16

STD PLAN

505

SHEET 1 OF 1
NOT TO SCALE