

NOTES:

1. LOCATE UNDERGROUND UTILITIES PRIOR TO DIGGING. CALL USA (UNDERGROUND SERVICE ALERT) 1-800-277-2600, MON THRU FRI 6AM TO 7PM, A MINIMUM 2 WORKING DAYS WITH A MAXIMUM 14 CALENDAR DAYS, TO OBTAIN A TICKET. CONTACT THE DISTRICT INSPECTOR OR PARK SUPERVISOR FOR DISTRICT UTILITIES NOT LOCATED BY USA.
2. FABRICATION, HOT-DIP GALVANIZING, AND PAINTING OF STEEL GATES, POSTS, AND SLEEVES, SHALL BE PER DISTRICT STANDARD PLANS 380 PIPE GATE FABRICATION, AND 003 PAINTING AND STAINING SPECIFICATION.
3. FASTENERS SHALL BE HOT-DIP GALVANIZED PER ASTM A153.
4. GATE, (WITH CHAIN), GATE POST (WITH FASTENERS), LATCH POST, SLEEVES, AND GATE-OPEN LATCH POSTS (NOT SHOWN), MAY BE AVAILABLE AT DISTRICT CENTRAL STORES, FOR PURCHASE BY DISTRICT STAFF ONLY.
5. PIPE GATE SHALL BE INSTALLED CENTERED IN ROAD (UON), WITH POSTS PLUMB, AND GATE LEVEL. DIRECTION OF GATE SWING TO SUIT FIELD CONDITIONS.
6. GATE-OPEN LATCH POST (NOT SHOWN), SHALL BE FIELD LOCATED AND INSTALLED IN THE SHOULDER OF ROAD. GATE-OPEN LATCH POST DOES NOT REQUIRE A SLEEVE.
7. CONCRETE SHALL BE COMMERCIAL 5-SACK PRE-MIX CONCRETE OR EQUIVALENT.
8. REINFORCING BARS (CONCRETE ISLAND) SHALL BE ASTM A615, GRADE 60 MINIMUM.
9. CONCRETE FINISH (CONCRETE ISLAND) SHALL BE A MEDIUM BROOM FINISH PERPENDICULAR TO THE LENGTH.
10. REFLECTIVE SAFETY TAPE SHALL BE 3" WIDE YELLOW BANDS RATED FOR 5 YEAR MIN OUTDOOR LIFE AND MEET D.O.T. SPECIFICATION FP-85 FOR TYPE 2 SHEETING.
11. OBJECT MARKERS SHALL BE 18" X 18" HEAVY GAUGE ALUMINUM, TYPE N YELLOW, MUTCD OM1-3, N-1 (CA), RETROREFLECTIVE YELLOW SHEETING, WITH MOUNTING HOLES AT TOP AND BOTTOM CENTER. INSTALL OBJECT MARKERS AT FRONT AND BACK FACE OF EACH GATE (TOTAL 2 PER GATE).
12. AFTER INSTALLATION, PRIME AND PAINT TACK WELDS AND TOUCH-UP ANY DAMAGE TO PAINTED METAL FINISH PER DISTRICT STANDARD PLAN 003, PAINTING AND STAINING SPECIFICATION.



PIPE GATE - INSTALLATION

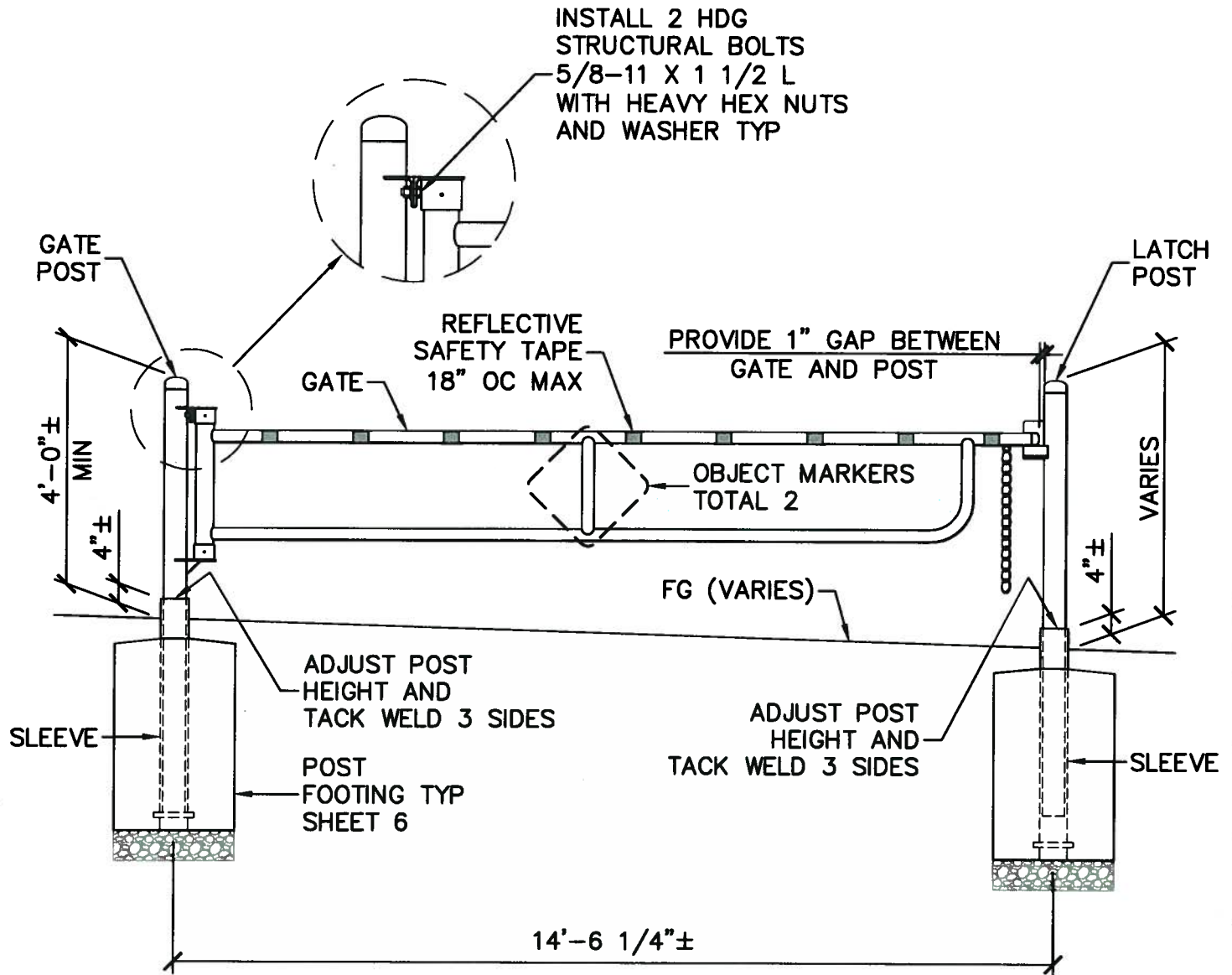
DRAWN	CR	KEY	REVISIONS	DATE	APPROVED
CHECKED	<i>LB</i>		ORIGINAL ISSUE	02-09-16	<i>Rob Lim</i>
OPERATIONS	DC				ROB LIM, PE, CHIEF OF DESIGN & CONSTRUCTION
				DATE	<i>2/11/16</i>

STD PLAN

301

SHEET 1 OF 6

NOT TO SCALE

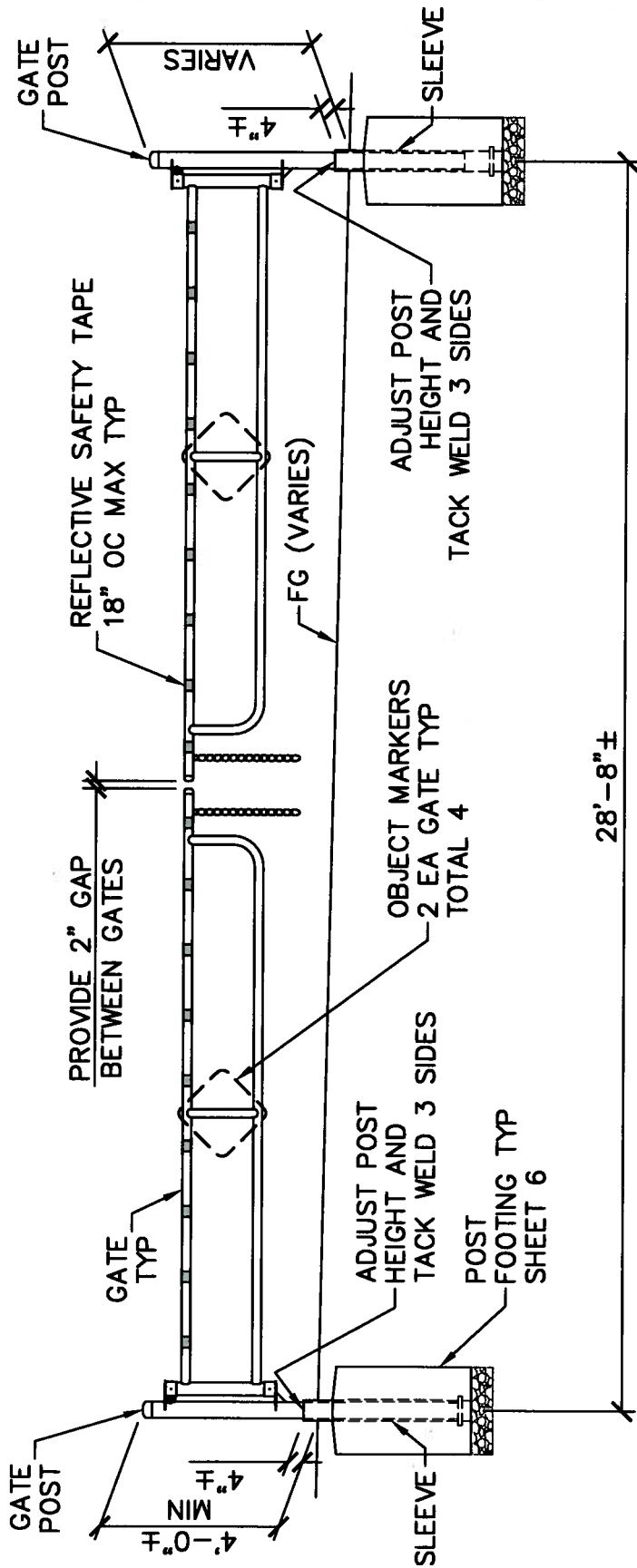


SINGLE PIPE GATE

NOTES:

- 1. GATE-OPEN LATCH POST (1 REQUIRED) NOT SHOWN.

	PIPE GATE - INSTALLATION					STD PLAN
	DRAWN	CR	KEY	REVISIONS	DATE	APPROVED
	CHECKED	<i>MS</i>		ORIGINAL ISSUE	02-09-16	<i>Rob Lim</i>
	OPERATIONS	DC				ROB LIM, PE, CHIEF OF DESIGN & CONSTRUCTION
					DATE	2/11/16
EAST BAY REGIONAL PARK DISTRICT - STANDARD PLANS						301 SHEET 2 OF 6 NOT TO SCALE



28'-8"±

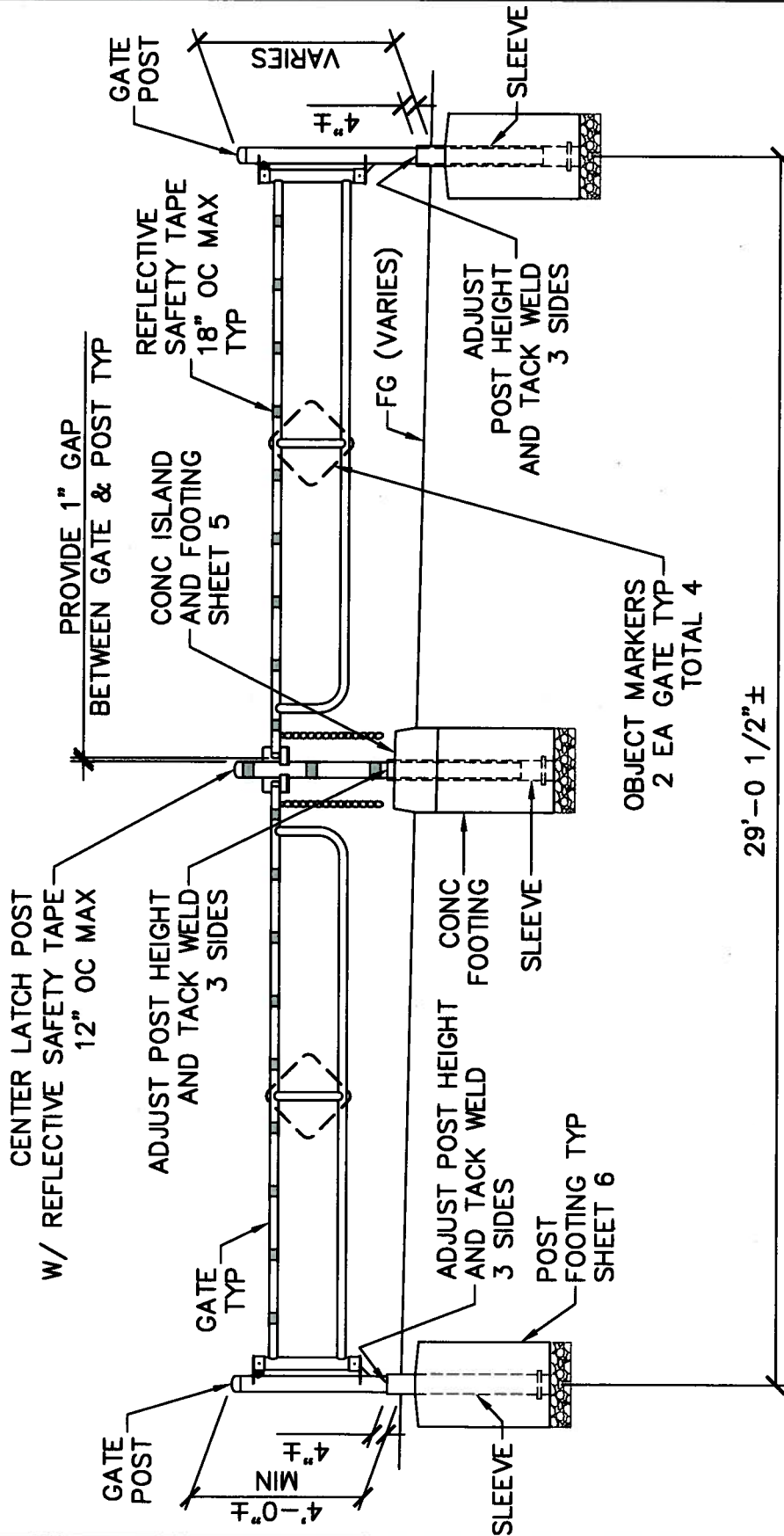
DOUBLE PIPE GATE

- NOTES:**
 1. GATE-OPEN LATCH POSTS (2 REQUIRED) NOT SHOWN.



PIPE GATE - INSTALLATION						STD PLAN
DRAWN	CR	KEY	REVISIONS	DATE	APPROVED	301
CHECKED	LB	△	ORIGINAL ISSUE	02-09-16	<i>Polini</i>	
OPERATIONS	DC				ROB LIM, PE, CHIEF OF DESIGN & CONSTRUCTION	
					DATE	2/11/16

301
 SHEET 3 OF 6
 NOT TO SCALE



29'-0 1/2"±

DOUBLE PIPE GATE WITH CONCRETE ISLAND

NOTES:

1. GATE-OPEN LATCH POSTS (2 REQUIRED) NOT SHOWN.



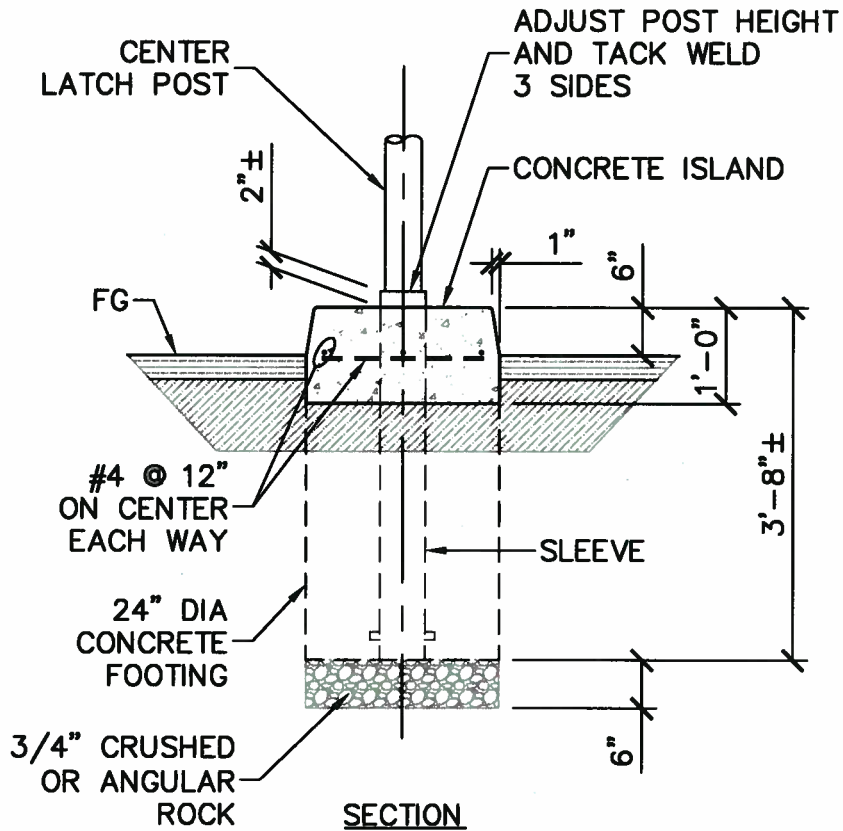
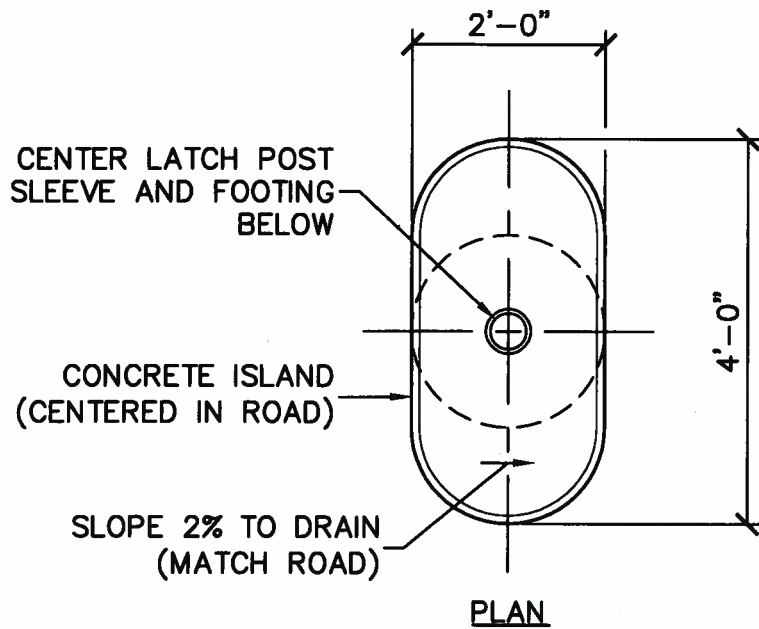
PIPE GATE - INSTALLATION

DRAWN	CR	KEY	REVISIONS	DATE	APPROVED
CHECKED	RS	△	ORIGINAL ISSUE	02-09-16	<i>Polli</i>
OPERATIONS	DC				ROB LIM, PE, CHIEF OF DESIGN & CONSTRUCTION
					DATE 2/11/16

STD PLAN

301

SHEET 4 OF 6
NOT TO SCALE



CONCRETE ISLAND



PIPE GATE - INSTALLATION

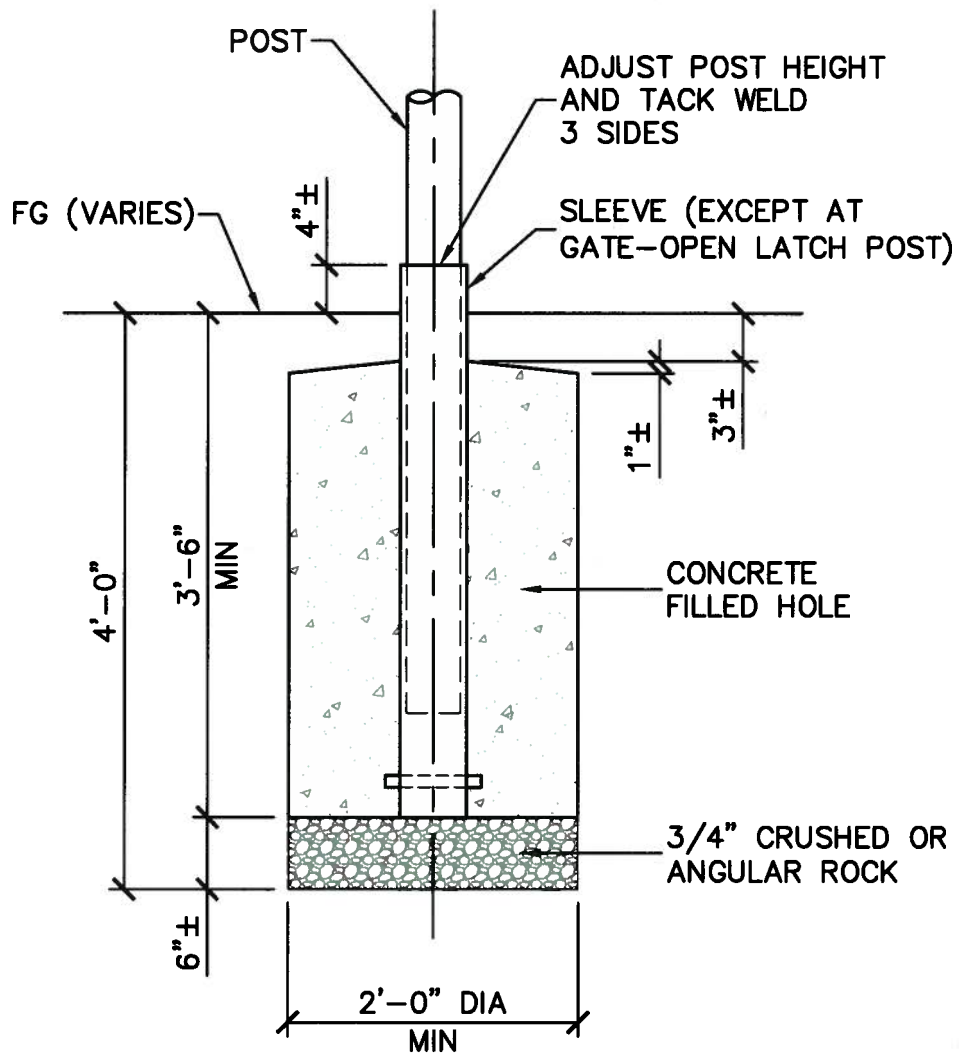
DRAWN	CR	KEY	REVISIONS	DATE
CHECKED	<i>MB</i>		ORIGINAL ISSUE	02-09-16
OPERATIONS	DC			

APPROVED *Rob Lim*
 ROB LIM, PE, CHIEF OF DESIGN & CONSTRUCTION
 DATE *2/11/16*

STD PLAN

301

SHEET 5 OF 6
 NOT TO SCALE



POST FOOTING



PIPE GATE - INSTALLATION

DRAWN	CR	KEY	REVISIONS	DATE
CHECKED	<i>MS</i>		ORIGINAL ISSUE	02-09-16
OPERATIONS	DC			

APPROVED
<i>Rob Lim</i>
ROB LIM, PE, CHIEF OF DESIGN & CONSTRUCTION
DATE <i>2/11/16</i>

STD PLAN

301

SHEET 6 OF 6
NOT TO SCALE